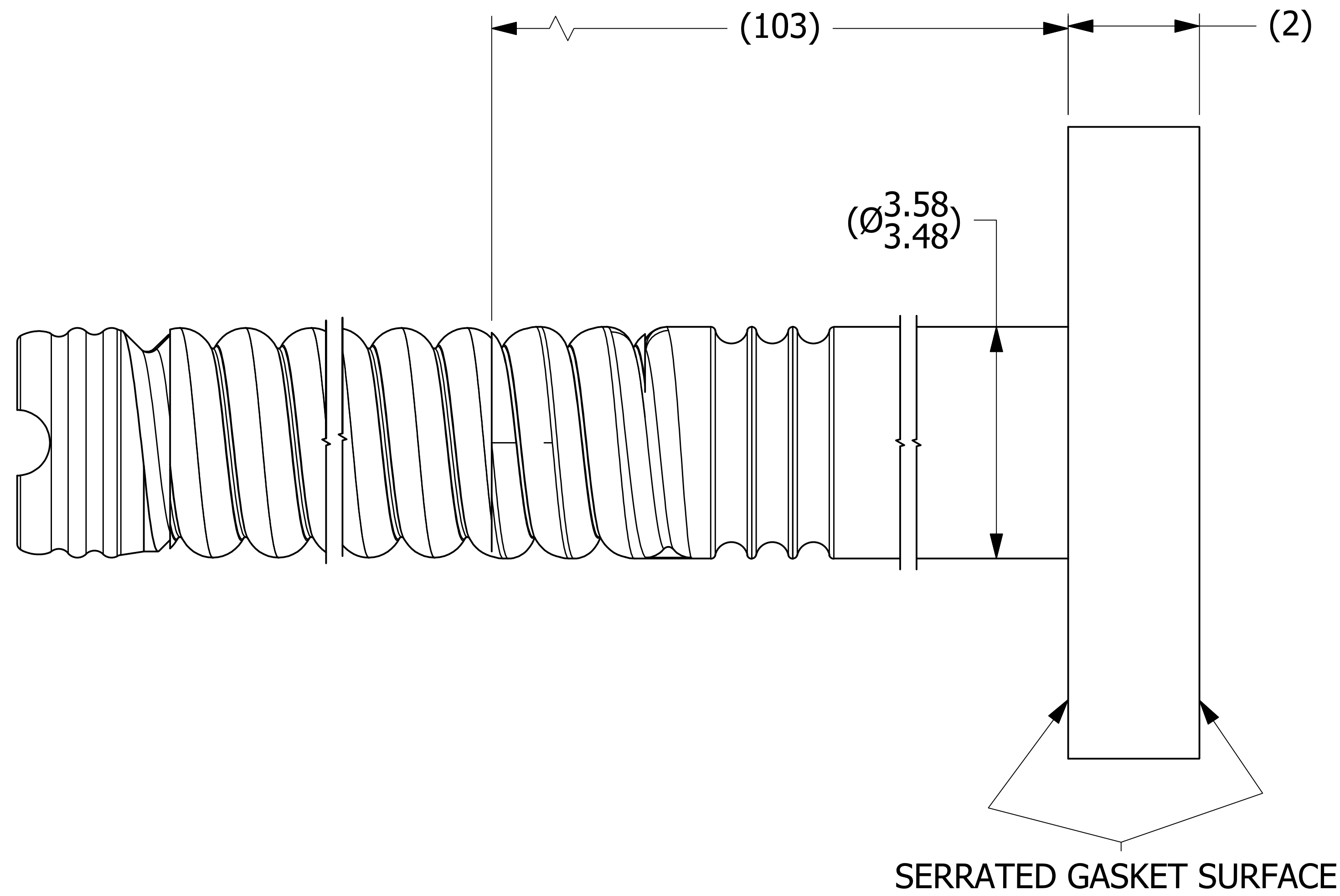
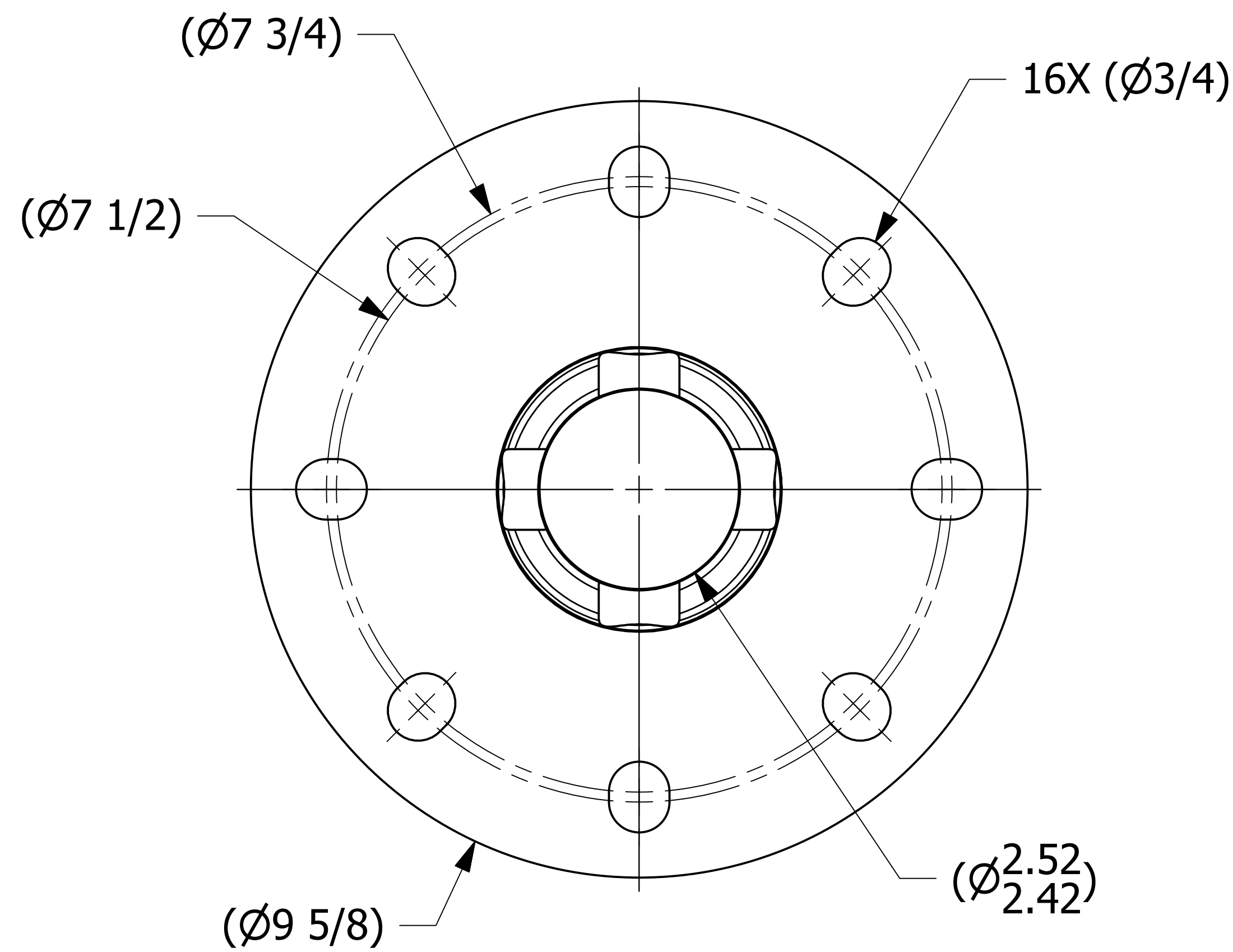


SALES DRAWING SALES DRAWING

SALES DRAWING SALES DRAWING



- NOTES:**
1. FOR NON-FLAMMABLE SERVICE ONLY.
 2. FOR FINISH TUBE LENGTHS OF 111" TO 120 1/2".
 3. AAR APPROVAL NUMBER IS E-162104.

REV	BY	DATE	DESCRIPTION
F	JG	7-16-18	Q-2.14 WAS QAP5A-1; UPDATED HS3TB107, NOTES
E	JG	12-29-16	UPDATED NOTES; AAR APPROVAL # WAS E-069015
D	JG	5-14-14	UPDATED TO CURRENT STANDARDS
C	TAJ	3/22/11	ADDED ALL PARTS TO BOM AND ADDED NOTE
B	ACC	12/6/06	AAR APPROVAL NUMBER WAS E969013
A	ACC	1/21/04	ADDED PART INTO THE SYSTEM

<small>UNLESS OTHERWISE SPECIFIED DIMENSIONAL TOLERANCES</small> FRACTIONAL: ±1/16 X.XX: ±.03 X.XXX: ±.015 ANGULAR: ±1° DEBURR ALL SHARP EDGES. ALL MACHINED SURFACES TO HAVE A 125 RMS FINISH UNLESS NOTED OTHERWISE. <small>THIRD ANGLE PROJECTION</small>	DRAWN BY:	ACC
	CHECKED BY:	VD
	PROTOTYPE BY:	ACC
	PROTOTYPE DATE:	1/21/2004
	APPROVED FOR PRODUCTION BY:	ACC
	PRODUCTION DATE:	1/21/2004

SALCO PRODUCTS, INC.

EDUCATION TUBE 4" X 3 1/2"

MATERIAL: SALCO PE/PTFE

PROJECT #: **030708** SHEET #: **1 OF 1** SCALE: **3:4**

DRAWING #: **D18587** PART #: **HSDT103**

THIS PRINT, PROPERTY OF SALCO PRODUCTS INC. CONTAINS PROPRIETARY INFORMATION AND MUST NOT BE COPIED, REPRODUCED, OR USED DETRIMENTALLY TO OUR INTEREST.